

LONG SERVICE LIFE

FSIP® – „Full Service in Place“

RAPID DISASSEMBLY/ASSEMBLY

EASY MAINTENANCE & CLEANING

COMPLETE PUMP SERVICE

without removing the pump from the system

EASY ACCESS TO ALL WEARING PARTS

ROBUST

UPGRADEABLE & COMPATIBLE

ECONOMICAL

The FSIP® concept was presented for the first time at the launch of the TORNADO® T2 at IFAT 2012 and immediately caused excitement, because it set a new standard in terms of service and maintenance friendliness. "TORNADO® rotary lobe pumps are particularly service and maintenance friendly. All wetted parts are immediately accessible without dismantling any pipework or the drive. You have quick and easy access to the pump chamber right up to the flange mounting, because you can open the whole front on the TORNADO® T2."

"Servicing is easy, no special tool is required. Compared to traditional rotary lobe pumps, the TORNADO® T2 can be serviced in less than half the time."

"The rotary lobes can be replaced in next to no time, because the lobes are not screwed onto the shaft, but fixed with easily accessible taper lock ringsets."

"You no longer need to make sure the keys are properly seated, and there is no axial adjustment work needed on the rotary lobes either. It is child's play to do this with our rotor setting device which is integrated into the front cover."

Those operators who use pumps in high-wear applications are particularly well aware of how important service and maintenance friendliness is. Every time the installer's workload is eased, additional work steps are avoided and maintenance time is reduced, this enables savings in terms of capacities and costs.

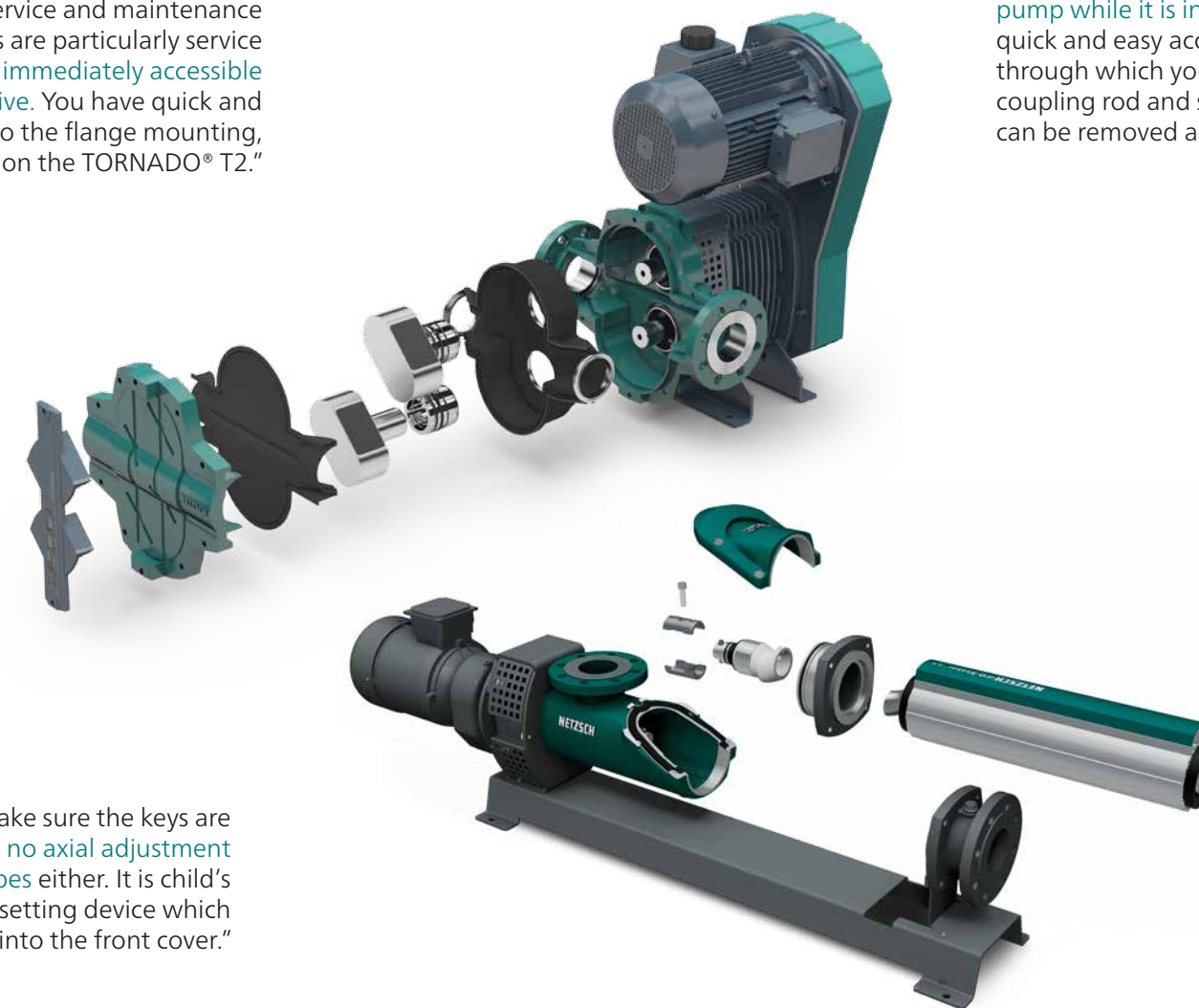
We are now presenting the first NEMO® progressing cavity pump with the FSIP® concept at ACHEMA 2015. As of now, you can fully service this pump while it is installed. With the FSIP® model of the NEMO® pump, quick and easy access is provided by opening a new inspection cover, through which you then disconnect the rotor-stator unit from the coupling rod and simply lift it out. After this, the remaining rotating unit can be removed and the pump is open from flange to flange.

Here too, the NEMO FSIP® pump is staying ahead of the game: the pump housing can be opened in next to no time without any special tools. All wearing parts can easily be replaced in less than half the time.

What the rotary lobe is for the TORNADO® pump, the rotor is for the NEMO® pump. It is now much easier to dis-assemble/assemble, because the rotor is removed with the iFD stator 2.0 and replaced without pre-tensioning after the stator housing has been opened.

The NEMO FSIP® pump is also designed so that no adjustments of any kind need to be carried out when the components are re-installed. To all intents and purposes, the pump housing acts as a support and guide throughout the work. Correct positioning is achieved fully automatically.

The pump's installation envelope has been reduced, since additional "service length" beyond the end of the pump is now unnecessary to remove the stator. With the NEMO FSIP® pump, the conveyance geometry remains unchanged, so there is no difference in comparison to the conventional pump in terms of quantity conveyed and pressure. All currently installed NEMO® pumps from the NM045 size upwards, can be upgraded to the FSIP® version without any problem.



WEAR-RESISTANT

OPERATIONALLY RELIABLE

COMPACT

DEPENDABLE

COMPLIES WITH MANY SPECIFICATIONS



The NETZSCH Group is a mid-sized, family-owned German company engaging in the manufacture of machinery and instrumentation with worldwide production, sales, and service branches.

The three Business Units – Analyzing & Testing, Grinding & Dispersing and Pumps & Systems – provide tailored solutions for highest-level needs. Over 3,000 employees at 210 sales and production centers in 35 countries across the globe guarantee that expert service is never far from our customers.

The NETZSCH Business Unit Pumps & Systems offers with NEMO® progressing cavity pumps, TORNADO® rotary lobe pumps, NOTOS multi screw pumps, macerators/grinders, dosing technology and equipment custom built and challenging solutions for different applications on a global basis.

NETZSCH Pumps & Systems – Solutions you can trust ■

NETZSCH Pumpen & Systeme GmbH
Geretsrieder Straße 1
84478 Waldkraiburg
Germany
Tel.: +49 8638 63-0
Fax: +49 8638 67 981
info.nps@netzsch.com
www.netzsch.com

NETZSCH®
www.netzsch.com

NPS-316-02-12/15-03-Technical specifications are subject to change.

NETZSCH

„FULL SERVICE IN PLACE“

offers you many advantages

