

The simplest ideas are often the best

Pulsation Dampers

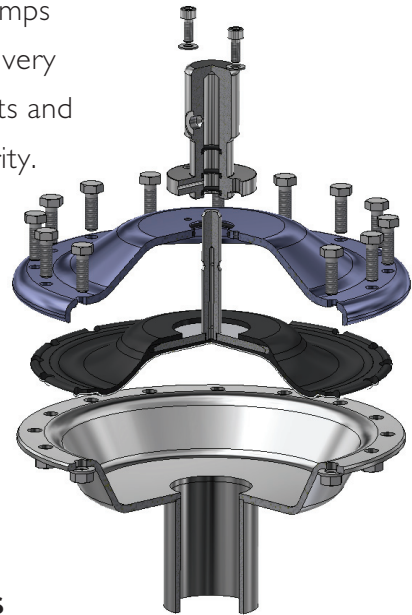
Minimise the effects of
pulsation in your installation



In common with ...

... many other types of pumps, air-operated double-diaphragm pumps produce a pulsed flow which can create vibration and shake in delivery pipework. This can mean wear in pipework joints, support brackets and other system components, compromising long-term process integrity.

Flotronic pulsation dampers offer an excellent solution to this problem. Available as single, twin or multi-ported and fitted either to a Flotronic pump or at any suitable point in a pipework system, Flotronic pulsation dampers eliminate up to 95% of pulsation, reducing vibration and any associated problems.



They also offer ...

- **decreased wear in pipework joints, support brackets and other system components**
- **optimal flow rates**
- **a reduction in the number of pipework support brackets required**
- **more accurate readings when pumping through flow measurement instruments**
- **an increase in safety levels through pressure surge reduction.**

Avoid recharging problems

Flotronic pulsation dampers differ from other makes by using a constant air supply to maintain a 'live loaded' diaphragm. By using standard factory air that is regulated to an optimum pressure, all the problems associated with recharging are eliminated through the damper's own self-adjustment.

Jacketed dampers

Flotronic's jacketed dampers ensure product temperature consistency where product temperature levels need to be maintained. Hot or cold water/steam jackets completely surround the damper body.

Flotronic's commitment to high quality management of the processes that create and control our products has been recognised in the achievement of the ISO 9001 accreditation, the internationally recognised standard for quality management of businesses.

Flotronic Pulsation Dampers

Rupture Protection System

Flotronic have a proven Diaphragm Rupture Protection system that can be incorporated into the damper design. This system utilises a secondary diaphragm to protect against leakage in the event of a primary diaphragm failure – vital for process integrity during hazardous chemical applications. The inclusion of a secondary diaphragm allows the damper unit to be fitted with an alarm or link into the associated pump's alarm system.

Flotronic dampers are available in any of the following materials:

- Aluminium
- PVC
- Polypropylene
- PTFE
- anti-static PTFE
- 316 Stainless Steel
- Hastelloy® (and other exotic metals)
- anti-static grade plastics.



Flotronic's pulsation damper range features our long-life one-piece bonded PTFE faced diaphragm. This ensures total reliability across a wide spectrum of applications while operating on a 'short-stroke' basis.

Diaphragms are available in a range of other materials including Nitrile, EPDM and anti-static PTFE faced.

ATEX Directive compliant pulsation dampers are also available in all materials.

Sizes and pipework connections

Available in all sizes 1" to 3", with any screwed or flange connection, including BSP, NPT, ANSI, DIN, RJT, IDF and more.

Maximum Operating Temperatures:

135°C (275°F) Stainless

100°C (212°F) PTFE

80°C (176°F) Polypropylene/PVC

Maximum Operating Pressure:

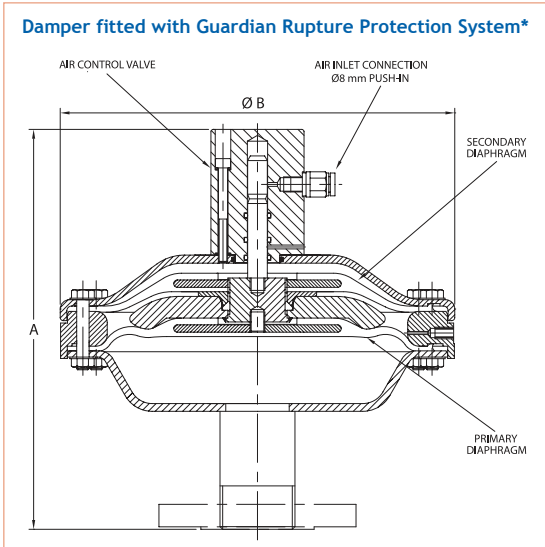
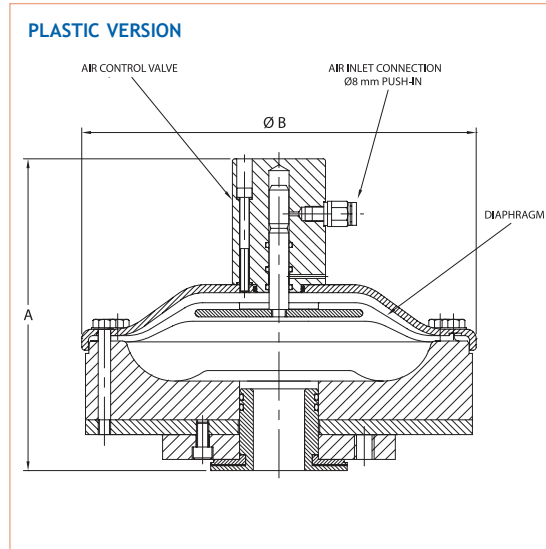
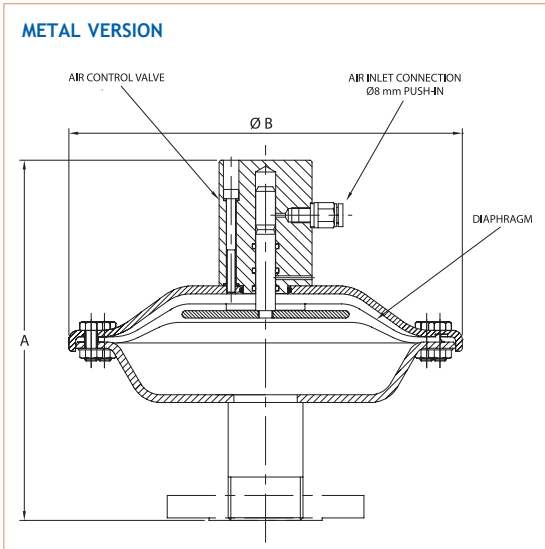
7.2 bar (105 PSIG) Stainless

7.2 bar (105 PSIG) PTFE

7.2 bar (105 PSIG) Polypropylene/PVC



Technical Data



Dimensions in inches		A	B	Wgt lb
LO FLO 1/2" - 1"	STAINLESS STEEL	9 ⁵ / ₈	10	25
	POLY/PVC/PVDF/PTFE	8	10	27
HI FLO 2" - 3"	STAINLESS STEEL	11 ³ / ₄	15	71
	POLY/PVC/PVDF/PTFE	10	15	84
GUARDIAN LO FLO	STAINLESS STEEL	10 ⁵ / ₈	10	31
	POLY/PVC/PVDF/PTFE	9	10	33
GUARDIAN HI FLO	STAINLESS STEEL	13	15	124
	POLY/PVC/PVDF/PTFE	11 ¹ / ₂	15	115

*Dampers fitted with Guardian Rupture Protection systems have two diaphragms for safe containment of liquids in the event of primary diaphragm failure and an inter-chamber which can be alarmed to detect leakage (no buffer fluids needed).

Unibloc Hygienic Technologies, LLC
 Ricebridge Works, Brighton Road, Bolney, West Sussex RH17 5NA.
 UK Tel: +44 (0)1444 881871 Fax: +44 (0)1444 881860
 E-mail: sales@unibloc.com Web: unibloc.com
 For authentic Flotronic pump spares go to: unibloc.com



ATEX APPROVED PUMPS



Hastelloy® is a registered trademark of Haynes International.

'Flotronic' is a UK registered trade mark.

Specifications subject to change without notice.



Flotronic 'One - Nut' pumps - The simplest ideas are often the best