



I Application

The RV centrifugal pump with helicoidal impeller is the best solution for the transfer of liquids with solid particles or medium viscosity products that cannot be pumped with an ordinary centrifugal pump. Due to the helicoidal shape of the impeller, the transfer of the product is gentle and without clogging., e.g. solid particles suspended in water (proportion: 40% to 60%). It is ideal for applications of the transfer of pieces of fruit or whole fruits, olives, mushrooms, slices of orange, vegetables, fish, etc.

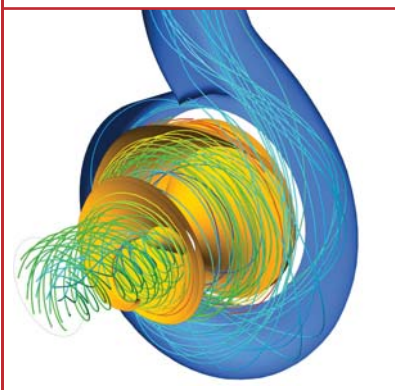
RV pumps are widely used in wineries for the pump-over process where the high capacity and minimum destruction of the solid parts (seeds, skins, etc.) is required. The design of the pump contributes to a better extraction of tannin, the coloring matter of wine, in the phase of vinification, reducing the lees formation and, as the result, achieving high quality wines.

I Operating principle

Due to the helicoidal shape of the impeller and to the flow optimised to avoid the obstruction of the pump, solid particles pass through the pump without being damaged.

I Design and features

- Close-coupled design.
- Helicoidal impeller.
- Pump casing with drain port.
- Pump casing with volute.
- High efficiency (>70%), low power consumption.**
- Motor: IEC B35, 1500 rpm, IE2.
- Mechanical seal: EN 12756 (DIN 24960 L1K).
- Connections: DIN 11851.
- Maximum particle size: \varnothing 75mm.



The helicoidal impeller is designed with the CFD tool (Computational Fluid Dynamics)

I Materials

Parts in contact with the product	AISI 316L
Lantern	AISI 316L
Other St.St. parts	AISI 304
Gaskets	EPDM
Mechanical seal	SiC/SiC/EPDM
Internal surface finish	bright polish
External surface finish	matte



I Options

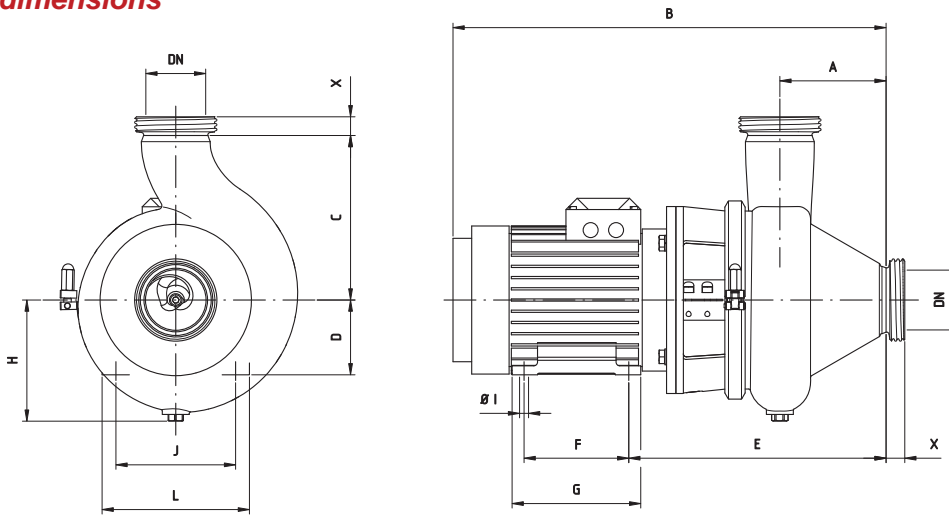
- Connections: SMS, Clamp, Macon, Garolla, FIL, RJT, DIN flanges, etc.
- CE control panel with 10 m cable and plug.
- St.St. trolley.
- Remote control.
- Motor shroud and adjustable legs.
- Motor with a frequency converter.



I Technical specifications

Max.flow	180 m ³ /h	793 US GPM
Max.differential head	22 mcl	72 ft
Max.working pressure	10 bar	145 PSI
Max.working temperature	-10 °C to +120 °C (EPDM) +140 °C (SIP, max. 30 min)	14 °F to 248 °F 284 °F
Max.speed	1800 rpm	

I General dimensions



Dimensions X

Pump	DN	DIN	SMS	CLAMP	RJT
RV-65	65 2 ½"	25	27	28,5	21,5
RV-80	80 3"	25	27	29	21,5
RV-100	100 4"	30	30	21,5	22

Pump	Ø solids
RV-65	45
RV-80	60
RV-100	75

Pump	kW	Motor	A	B	C	D	E	F	G	H	I	ØJ	L	kg
RV-65	0,75	80	95	463	190	80	258	100	125	130	10	125	160	26
RV-80	2,2	100	142	606	220	100	344	140	172	163	12	160	197	49
RV-100	4	112	159	656	250	112	376	140	172	186	12	190	220	67

