

IMI PBM TRANSMITTER ISOLATION VALVES

TI Series, 1" x 3", 1" x 2", 2-1/2" x 3" Flanges



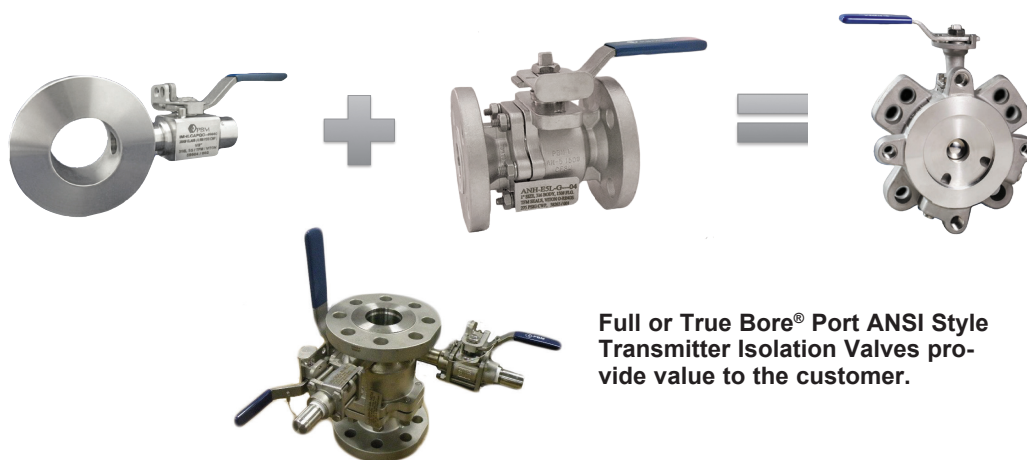
DESIGN FEATURES:

- TIV valves feature minimal dead space which prevents build-up
- **TI Series valves DO NOT have o-rings.**
- Available in 150#, 300#, & other sizes & pressure rating available
- Purge ports and optional milled flats enable CIP and drainage without process interruption.
- Bolt pattern accommodates standard industry ANSI 150# & 300# flanged connections and retrofits to knife gate patterns.
- Hardware configuration allows separate bolting of valve to tank and transmitter to valve as an additional safety measure for hazardous media.
- Calibration port, CIP ports and locking handle standard
- Valves are design to ASME B16.34



SPECIFICATIONS	Transmitter Isolation Valves
Sizes	1" port x 3" flanges, 1" port x 2" flanges, 2-1/2" port x 3" flanges
Material	316/317L Stainless Steel, Hastelloy™ C-276, C22®, Titanium, or others
Temperatures	Ambient to 450°F depending on material
Purge/Bleed Port Size	(4) 1/4" FNPT plugged purge ports with hex head plugs
Seats & Seals	V-TEF™ seats with VTFE o-rings, S-TEF® with teflon encapsulated o-rings
Stem Packing Material	V-TEF™, S-TEF®
Body Bolts & Nuts	18-8 Stainless Steel
Maximum Working Pressure	Maximum CWP depending on flange rating and valve material of construction

BEST TRANSMITTER ISOLATION TECHNOLOGY



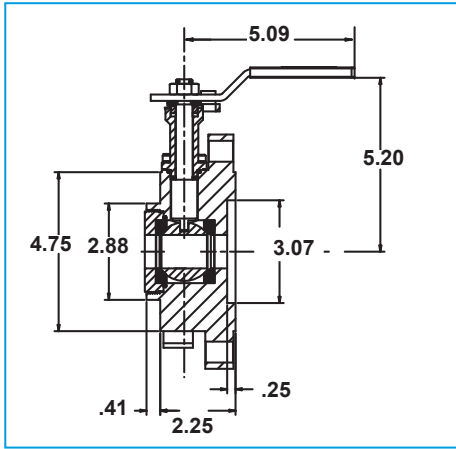
How To Order:

PRODUCT (1-2)	MATERIAL (3-4)	SIZE (5)	SERIES (6)	CLASS OF END CONN.	TYPE OF END CONN. (8)	SEAT/ SEAL/ O-RING (10)	PURGE PORTS (10)	BALL FLAT OPTIONS (11)	BALL/STEM OPTION (12)	LOCKING HANDLES (13-14)								
TI	H-	316 Stainless	E	1"	5	L 150# Flange	-	3 inch Flange	G	V-TEF™ / VTFE	-	Qty. 4, 1/4" Plugged Purge Ports w/ Hex Head Plugs	-	Standard (no options)	-	Standard (316/316L S/S Ball and Stem)	--	W/ Standard Lever Handle
	H2	317L Stainless	J	2-1/2"	M	300# Flange	H	2 inch Flange	H	S-TEF® / FEP Encapsulated	A	Flats closed downstream	F	Internal / external grounding	07	45° Lever Handle		
	C	Hastelloy® C-276								B	Flats closed upstream	G	17-4PH stem					
	Y-	Hastelloy® C-22								C	Flats open upstream							
	T-	Gr. 5 Titanium								D	Flats open downstream							
	HC	Alloy 20								E	Flats open upstream & downstream							

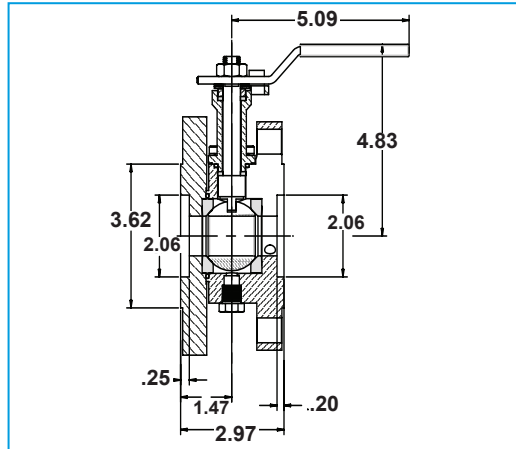
<http://pbmvalve.com/build-a-part-number>

IMI PBM Transmitter Isolation Valves

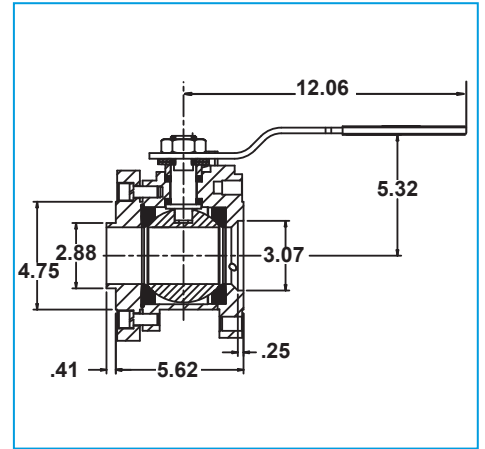
1" Port x 3" 150# Flanged TIV



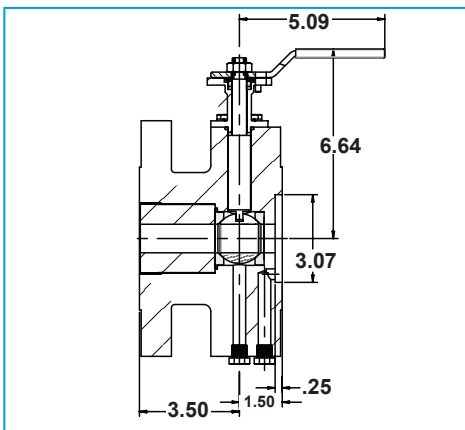
1" Port x 2" 150# Flanged TIV



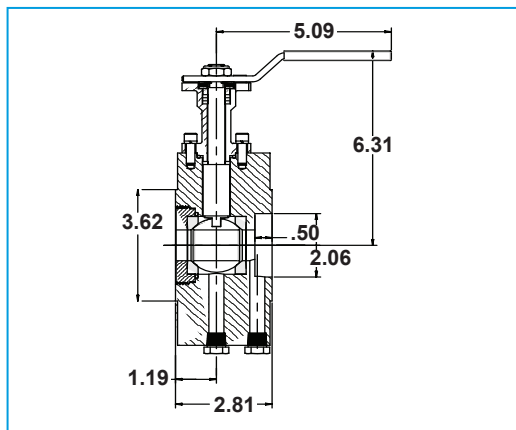
2-1/2" Port X 3" Flanged TIV



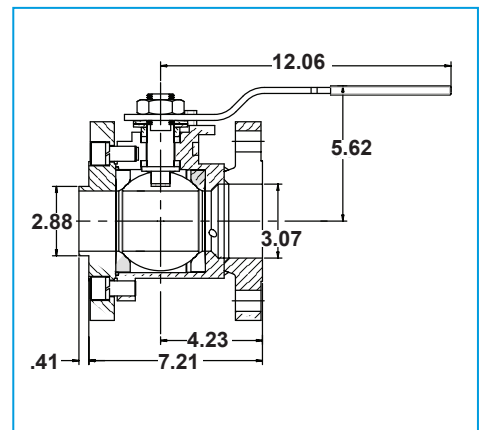
1" Port x 3" 300# Flanged TIV



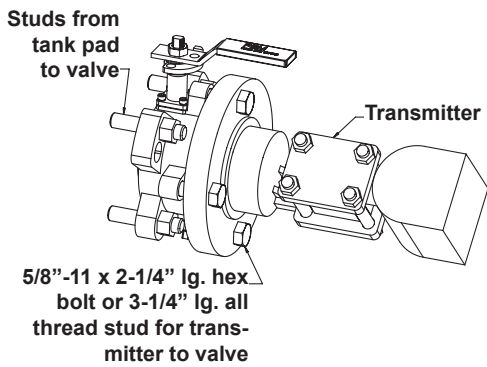
1" Port x 2" 300# Flanged TIV



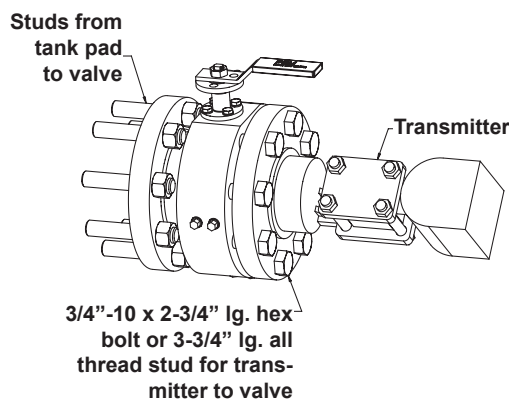
2-1/2" Port X 3" 300# Flanged TIV



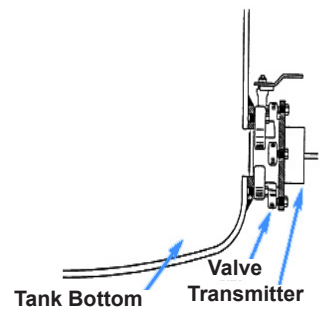
1" Port x 3" 150# Flanged TIV



2-1/2" Port X 3" Flanged TIV



Tank View



www.PBMValve.com

PBM, Inc. • 1070 Sandy Hill Road, Irwin, PA 15642

Phone: 800.967.4PBM • 724.863.0550

E-mail: info.pbmvalve@imi-critical.com

