



I Application

Sandwich butterfly valves, whether manually or automatically operated, can be used in most liquid product applications in the food-processing, pharmaceutical and chemical industries. The design allows to easily instal or remove the valve without separating the pipes.

I Operating principle

The butterfly valve can be operated automatically through an actuator or manually with a handle.

The handle blocks the valve in the "open" or "closed" position, although there are also other models with intermediate positions. The actuator transforms the axial movement of the piston into a 90° rotary movement which it transmits to the disc.

I Design and features

- Design: "between flanges".
- Compact and robust design.
- Multi-position handle as standard feature for valves up to DN-100/4".
- Two-position handle as standard feature for valves starting from DN-100/4".
- Low pressure losses.
- Body halves interchangeable with any connection type.
- Connections: DIN 11850.
- Traceability of components.

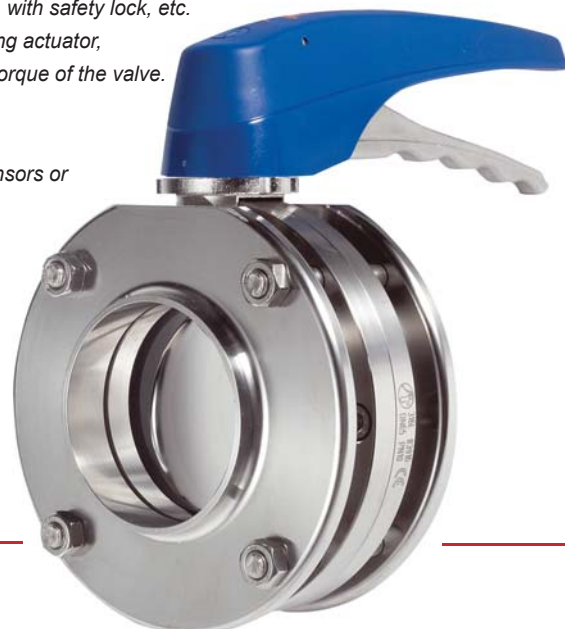


I Materials

Disc and body halves	AISI 316L (forged)
Handle	AISI 304 / PP
Other St. St. parts	AISI 304
Gasket	EPDM according to FDA 177.2600
Internal surface finish	Ra ≤ 0,8 μm
External surface finish	Machined, Ra ≤ 1,2 μm

I Options

- AISI 304L valve.
- Gaskets: NBR, VMQ or FPM.
- Two sizes for two-position handle.
- Handles: two-position, lever, micrometric, with safety lock, etc.
- Electric actuator or single- or double-acting actuator, the size is determined by the operating torque of the valve.
- Electro-pneumatic positioner.
- Inductive position sensors.
- C-TOP control unit (inductive position sensors or microswitches).



I Technical specifications

Available sizes	DN 25 - DN 150	DN 1" - DN 6"
Max. working temperature	-10 °C to +120 °C (EPDM) +140 °C (SIP, max. 30 min)	14 °F to 248 °F 284 °F
Min. working pressure	0,2 bar (abs.P)	3 PSI (abs.P)
Max. working pressure	10 bar (DN 25 - DN 100) 8 bar (DN 125 - DN 150)	145 PSI (DN 1" - DN 4") 116 PSI (DN 5" - DN 6")



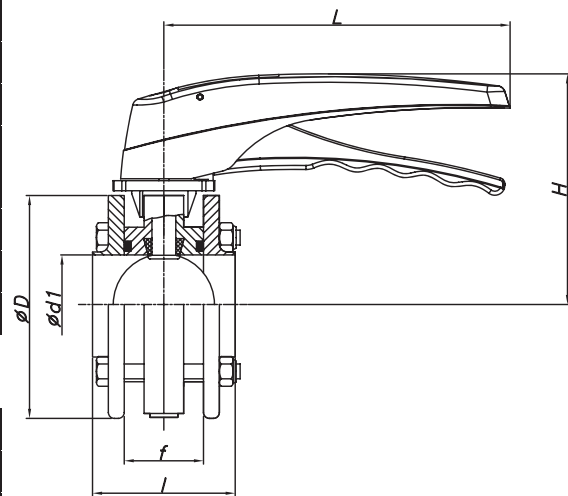
DN	25 1"	32	40 1½"	50 2"	2½"	65	3"	80	100 4"	125	150 6"
OPERATING TORQUE [N·m]	8	9	10	14	15	18	18	20	25	55	70

Test pressure 10 kg/cm²

I General dimensions

DN	d1	D	I	f	H	L
25	26	93	68	40	110	170
32	32	98	68	40	110	170
40	38	103	68	40	115	170
50	50	115	72	40	120	170
65	66	132	72	40	130	170
80	81	145	80	40	135	170
100	100	165	80	40	145	170
125*	125	191	120	70	147	270
150*	150	240	140	90	180	300

DN	d1	D	I	f	H	L
1"	22,1	93	68	40	110	170
1½"	34,9	103	68	40	115	170
2"	47,6	115	72	40	120	170
2½"	60,3	117	72	40	120	170
3"	72,9	132	72	40	130	170
4"	97,4	165	80	40	145	170
6"*	146,8	240	140	90	180	300



* With two-position handle.



The information contained in this brochure is for guidance only. We reserve the right to modify any material or feature without notice in advance. For further information, please, consult our web site. www.inoxpa.com

