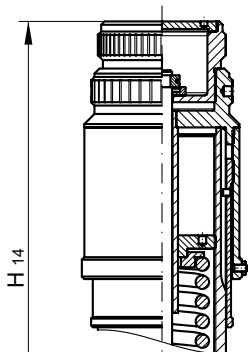


Normal-Sicherheitsventil, federbelastet Standard-Safety-Valve, springloaded

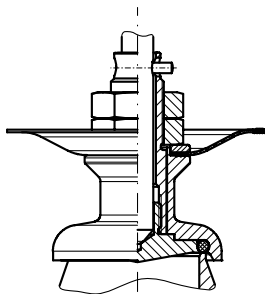
Typ 44

für Dämpfe, Gase und Flüssigkeiten mit geschlossener Haube
for steam, gases and liquids in closed completion

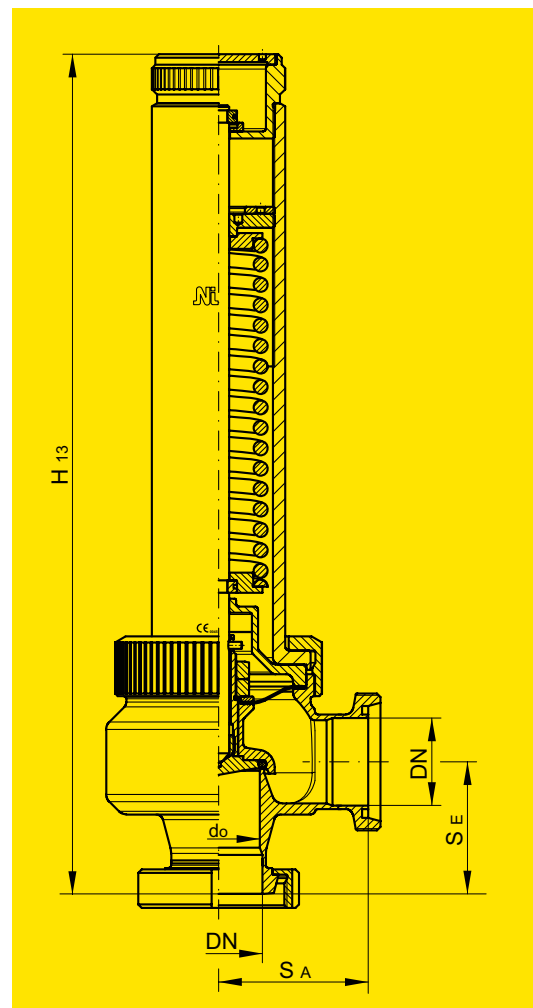
Typ 44.2 : Wst. / Material 1.4404 / 1.4404



Kopf G, anlüftbar
head G, liftable



weich dichtend
soft seated



Kopf M, anlüftbar
head M, liftable

Bauteilkennzeichen / TÜV - Approval

TÜV • SV • XX-XXXX • do • D/G/F • α d • p

Verwendung / Use

Betriebstemperatur / operating temperature

Kegel weich dichtend / disc soft seated

siehe techn. Anhang: KWD-1 / see techn. appendix: KWD-1

Einbaulage: senkrecht

Installation position: vertical

Anschlüsse:

- Gewindestutzen
- Klemmstutzen
- Kleinflansch

Connections:

- male union
- clamp liner
- flange

| BG Size | Eintritt Inlet | | Austritt Outlet | | Baumaße Dimensions | | | Aussflussziffer Coefficient | | Ansprechdruck Set pressure | | Gewicht Weight | |
|------------|-------------------|------|--------------------|------|-----------------------|------|------|--------------------------------|----------------|-------------------------------|------------------|-------------------|------|
| | DN | SE | DN | SA | do | H13 | H14 | α _d | α _d | p _{min} | p _{max} | | |
| | | [mm] | | [mm] | [mm] | [mm] | [mm] | D/G | F | [bar(g)] | [bar(g)] | [kg] | |
| I* | | | | | | | | | | | | | |
| II* | | | | | | | | | | | | | |
| III | 32 | 75 | 50 65 | 85 | 27 | 479 | 514 | 0,50 | 0,38 | 0,2 | 16 | 11,3 | |
| | 40 | | | | 37 | | | 0,46 | 0,30 | | | | 11,6 |
| | 50 | | | | 47 | | | 0,36 | 0,21 | | | | 11,3 |
| IV* | | | | | | | | | | | | | |

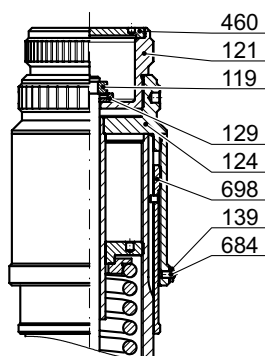
* in Vorbereitung / in preparation

Normal-Sicherheitsventil, federbelastet Standard-Safety-Valve, springloaded

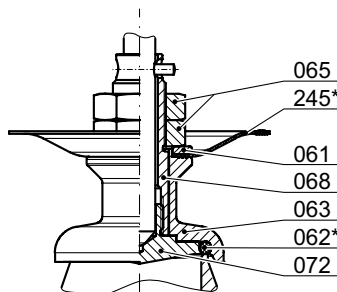
für Dämpfe, Gase und Flüssigkeiten mit geschlossener Haube
for steam, gases and liquids in closed completion

Typ 44

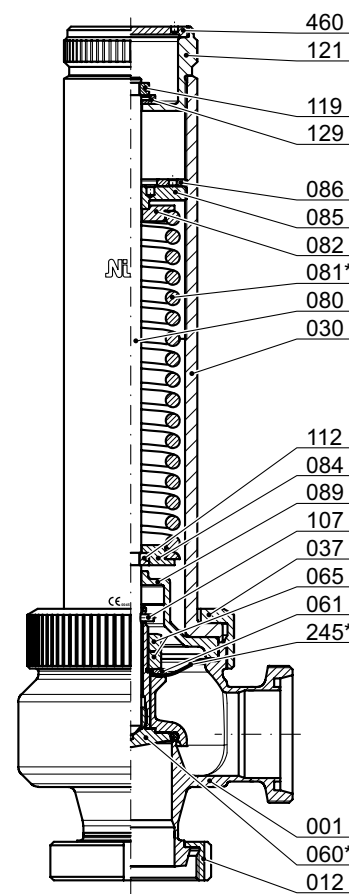
Typ 44.2 : Wst. / Material 1.4404 / 1.4404



head G, liftable



disc complete, pos. 060*
soft seated



head M, liftable

| Item | Description | Material | Item | Description | Material |
|------|----------------------|----------------------------|------|-------------------------------|----------|
| 001 | 1 inlet body | 1.4404 | 085 | 1 adjusting screw | 1.4305 |
| 012 | 1 union nut | 1.4404 | 086 | 1 lock nut (only head M) | 1.4305 |
| 030 | 1 spring bonnet | 1.4404 | 089 | 1 guide plate | 1.4404 |
| 037 | 1 union nut | 1.4404 | 107 | 1 spring pin | A4 |
| 060* | 1 disc, complete | | 112 | 1 split ring | 1.4305 |
| 061 | 1 pressure piece | 1.4404 | 119 | 1 locking ring | A2 |
| 062* | 1 soft sealing | see techn. appendix: KWD-1 | 121 | 1 lifting cap (only head G,M) | 1.4305 |
| 063 | 1 disc ring | 1.4404 | 124 | 1 handwheel (only head G) | 1.4571 |
| 065 | 2 disc bolt | A4 | 129 | 1 pressure plate | A4 |
| 068 | 1 disc guidance | 1.4404 | 139 | 1 nut (only head G) | A4 |
| 072 | 1 locking ring | 1.4404 | 460 | 1 cover (only head G,M) | 1.4305 |
| 245* | 1 diaphragm | EPDM | 684 | 1 arresting screw | A2 |
| 080 | 1 spindle | 1.4404 | 698 | 1 scale (only head G) | 1.4571 |
| 081* | 1 spring | 1.4310 | | | |
| 082 | 1 springplate, upper | 1.4305 | | | |
| 084 | 1 springplate, lower | 1.4305 | | | |

* expendable parts