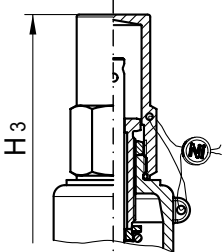


Vollhub-Sicherheitsventil, federbelastet Full-lift-Safety-Valve, springloaded

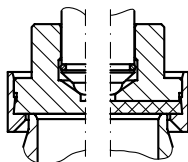
Typ 32

für Dämpfe, Gase und Flüssigkeiten mit geschlossener Haube
for steam, gases and liquids in closed completion

Typ 32.1 BG I : Wst. / Material 1.0460 / 0.7043
 Typ 32.1 BG II+III : Wst. / Material 1.0460 / 1.0619
 Typ 32.1 BG IV : Wst. / Material 1.0619 / 1.0619
 Typ 32.2 : Wst. / Material 1.4571 / 1.4581
 Typ 32.7 : Wst. / Material 1.4571 / 1.4308



Kopf C / head C
gasdichte Kappe
gastight cap



metallisch dichtend / metal seated
weich dichtend / soft seated

Bauteilkennzeichen / TÜV - Approval

BG I: TÜV • SV • XX-906 • do • D/G • α_w • p
 BG I: TÜV • SV • XX-920 • do • D/G/F • α_w • p
 BG II: TÜV • SV • XX-887 • do • D/G/F • α_w • p
 BG III: TÜV • SV • XX-900 • do • D/G/F • α_w • p
 BG IV: TÜV • SV • XX-901 • do • D/G/F • α_w • p

Verwendung / Use

Betriebstemperatur / operating temperature

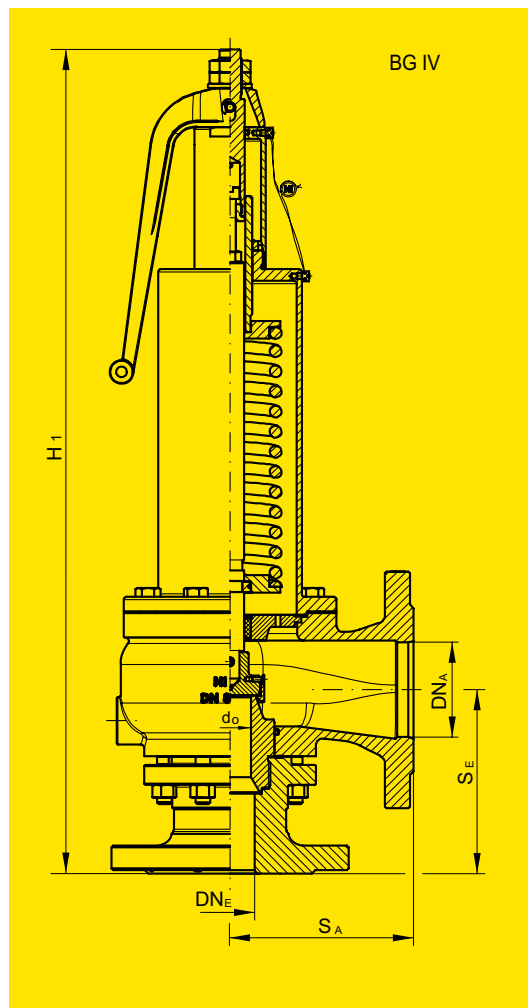
Kegel metallisch dichtend / disc metal seated

Typ 32.1 BG I : -10°C bis / to 280°C (350°C¹⁾
 Typ 32.1 BG II - IV : -10°C bis / to 350°C
 Typ 32.2 BG I : -60°C bis / to 280°C (400°C¹⁾
 Typ 32.2 BG II - IV : -60°C bis / to 350°C (400°C¹⁾
 Typ 32.7 BG I - IV : -200°C bis / to 280°C (300°C¹⁾

Kegel weich dichtend / disc soft seated

siehe techn. Anhang: KWD-1 / see techn. appendix: KWD-1

Einbaulage: senkrecht
 Installation position: vertical



Kopf A, gasdicht mit Lüftehebel
 head A, gastight with lifting lever

BG Size	Eintritt Inlet (DIN / ANSI)				Austritt Outlet (DIN / ANSI)			Baumaße Dimensions		Ausflussziffer Coefficient		Ansprechdruck Set pressure		Gewicht Weight [kg]	
	DN _E / NPS	PN _E / [bar]	do	S _E ²⁾	DN _A / NPS	PN _A / [bar]	S _A ²⁾	H1	H3	$\alpha_{w \max}$	α_w	p min	p max		
	[mm]	class	[mm]	[mm]	[mm]	class	[mm]	[mm]	[mm]	D/G	F	[bar(g)]	[bar(g)]		
I	15	1/2	63-160	8	105	25 1	16-40	100	297	283	0,79		9	120	4,6
	15	1/2	250	8	115	25 1	16-40	100	307	293	0,79		121	220	4,6
	15	1/2	16-40 150-600	12,5	90	25 1	150-300	100	282	268	0,59	0,41	0,2	40	4,6
II	20	3/4	16-63	16	105	32 1¼	16-40	105	395	375	0,68	0,47	0,1	40	9,6
	25	1	150-600	20	115	40 1½	150-300	115	405	385	0,54	0,44	0,1	40	10,0
III	32	1¼	16-63	25	125	50 2	16-40	125	450	430	0,68	0,50	0,1	40	15,0
	40	1½	150-600	32	145	65 2½	150-300	145	470	450	0,55	0,36	0,1	25	19,3
IV	50	2	16-63	40	155	80 3	16-40	155	700	620	0,61	0,42	0,1	25	36,8
	65	2½	150-600	50	175	100 4	150	175	Sonderausführung / special design:		0,51	0,44	0,5	25	
									730	650	0,62	0,44	0,1	16	40,5

1) Höhere Temperaturen auf Anfrage / higher temperatures on request

2) Maß gilt bis PN 40 gilt DIN 3202, andere auf Anfrage /
 measure only for PN 40 only DIN 3202, other on request

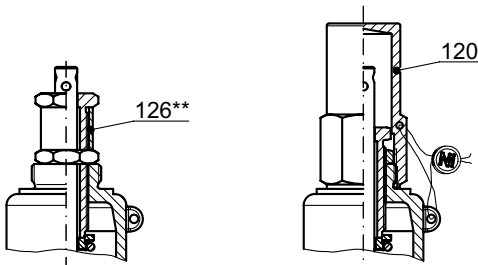
Vollhub-Sicherheitsventil, federbelastet Full-lift-Safety-Valve, springloaded

Typ 32

für Dämpfe, Gase und Flüssigkeiten mit geschlossener Haube
for steam, gases and liquids in closed completion

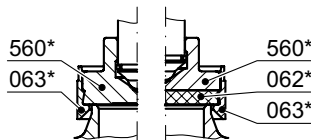
Typ 32.1: Wst. / Material 1.0460 / 0.7043
Typ 32.2: Wst. / Material 1.4571 / 1.4581
Typ 32.7: Wst. / Material 1.4571 / 1.4308

DN 15/25

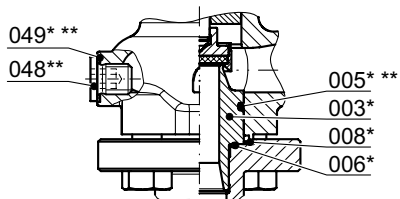


lock sleeve
on request

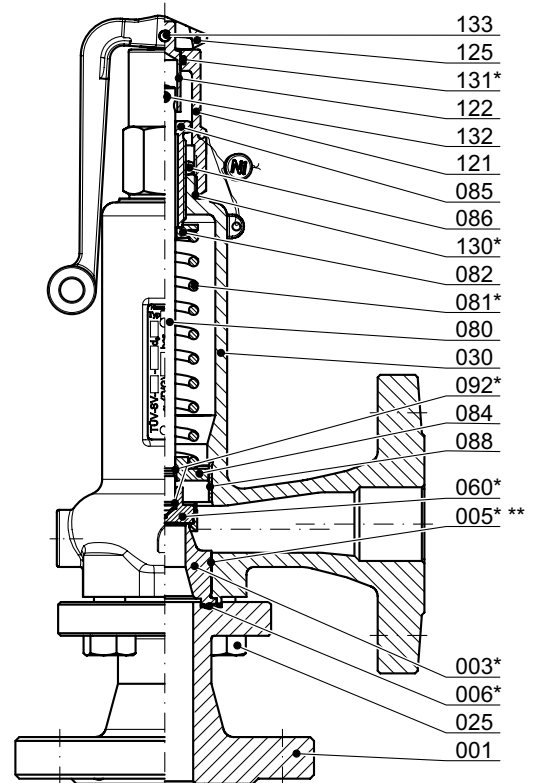
head C
gastight cap



disc complete, pos. 060*
metal seated soft seated



drainage screw screw seat from PN 40
on request



head A
gastight with lifting lever

Item	Description	Material			Item	Description	Material		
		32.1	32.2	32.7			32.1	32.2	32.7
001	1 inlet body	1.0460	1.4571	1.4571	092*	2 lock ring	1.4571	1.4571	1.4571
003*	1 seat	1.4104	1.4571	1.4571	120	1 cap (only head C)	1.0718	1.4581	1.4571
006*	1 packing ring	TESNIT BAU	PTFE		121	1 lifting cap (only head A)	1.4104	1.4581	
008*	1 packing ring	TESNIT BAU	PTFE		122	1 coupling	1.4305	1.4305	
025	4 screw	A2	A2	A2	125	1 lifting lever	3.2581	3.2581 ³⁾	
030	1 spring bonnet	0.7043	1.4581	1.4308	130*	1 o-ring	NBR	FPM	EPDM
060*	1 disc, complete				131*	1 o-ring	NBR	FPM	
560*	1 disc	1.4571	1.4571	1.4571	132	1 groove pin	A4	A4	
062*	1 soft sealing	see techn. appendic: KWD-1			133	1 groove pin	A4	A4	
063*	1 disc ring	1.4571	1.4571	1.4571		on request			
080	1 spindle	1.4104	1.4571	1.4571					
081*	1 spring	1.4310	1.4310	1.4310	005**	1 o-ring	NBR	FPM	EPDM
082	1 springplate, upper	1.0718	1.4305	1.4571	048**	1 drainage screw	A4	A4	A4
084	1 springplate, lower	1.4571	1.4571	1.4571	049**	1 packing ring	Cu	PTFE	PTFE
085	1 adjusting screw	1.4305	1.4305	1.4571	126**	1 lock sleeve	1.4305	1.4305	
086	1 lock nut	1.0718	1.4305	1.4571					
088 ²⁾	1 guide bush	1.4571							

* expendable parts
** optional design, on request

²⁾ only in type 32.1

³⁾ on request: 1.4581

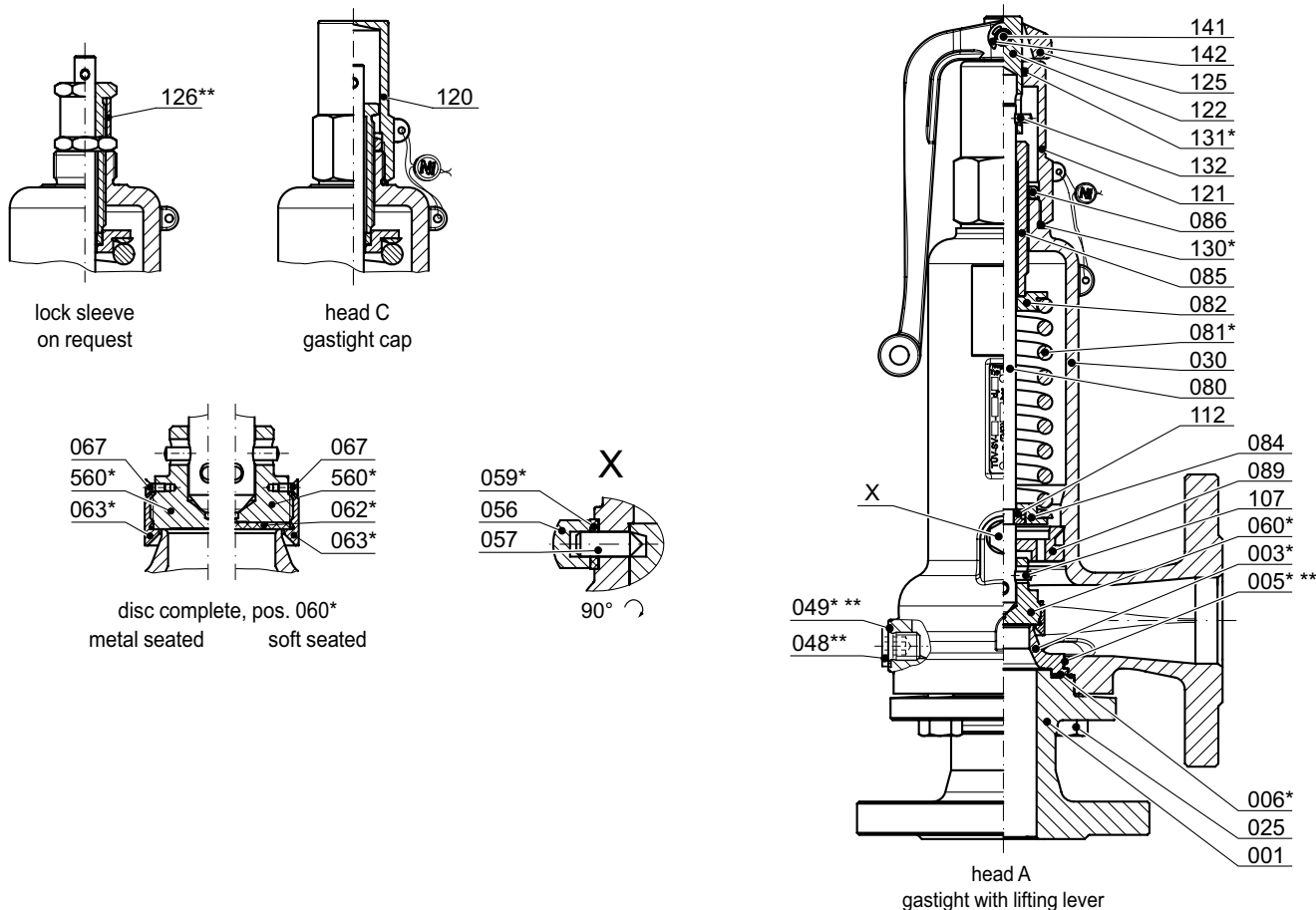
Vollhub-Sicherheitsventil, federbelastet Full-lift-Safety-Valve, springloaded

Typ 32

für Dämpfe, Gase und Flüssigkeiten mit geschlossener Haube
for steam, gases and liquids in closed completion

Typ 32.1 : Wst. / Material 1.0460 / 1.0619
Typ 32.2 : Wst. / Material 1.4571 / 1.4581
Typ 32.7 : Wst. / Material 1.4571 / 1.4308

DN 20/32
DN 25/40



Item	Description	Material			Item	Description	Material		
		32.1	32.2	32.7			32.1	32.2	32.7
001	1 inlet body	1.0460	1.4571	1.4571	107	1 spring pin	A2	A2	A2
003*	1 seat	1.4571	1.4571	1.4571	112	1 split ring	1.4305	1.4305	1.4305
006*	1 packing ring	TESNIT BAU	PTFE		120	1 cap (only head C)	1.0718	1.4581	1.4571
025	4 screw	A2	A2	A2	121	1 lifting cap (only head A)	1.4104	1.4581	
030	1 spring bonnet	1.0619	1.4581	1.4308	122	1 coupling	1.4305	1.4305	
056	2 lock nut	A4	A4	A4	125	1 lifting lever	3.2581	3.2581	
057	2 screwed pin	A2	A2	A2	130*	1 o-ring	NBR	FPM	EPDM
059*	2 packing ring	PTFE	PTFE	PTFE	131*	1 o-ring	NBR	FPM	
060*	1 disc, complete				132	1 groove pin	A4	A4	
560*	1 disc	1.4571	1.4571	1.4571	141	1 bolt	1.4305	1.4305	
062*	1 soft sealing	see techn. appendic: KWD-1			142	2 stop washer	A2	A2	
063*	1 disc ring	1.4571	1.4571	1.4571					
067	1 security screw	A2	A2	A2		on request			
080	1 spindle	1.4104	1.4571	1.4571	005* **	1 o-ring	NBR	FPM	EPDM
081*	1 spring	1.4310	1.4310	1.4310	048**	1 drainage screw	A4	A4	A4
082	1 springplate, upper	1.4305	1.4305	1.4305	049* **	1 packing ring	Cu	PTFE	PTFE
084	1 springplate, lower	1.0718	1.4305	1.4305	126**	1 lock sleeve	1.4305	1.4305	
085	1 adjusting screw	1.4305	1.4305	1.4305					
086	1 lock nut	1.4305	1.4305	1.4305					
089	1 guide plate	1.4571	1.4571	1.4571					

* expendable parts

** optional design, on request

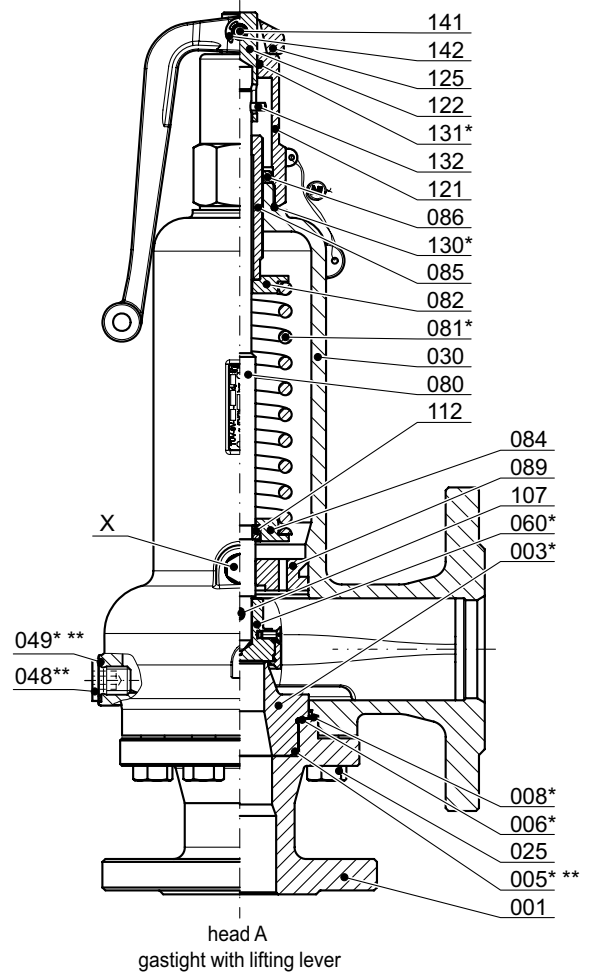
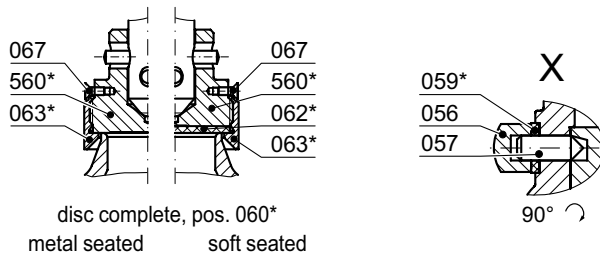
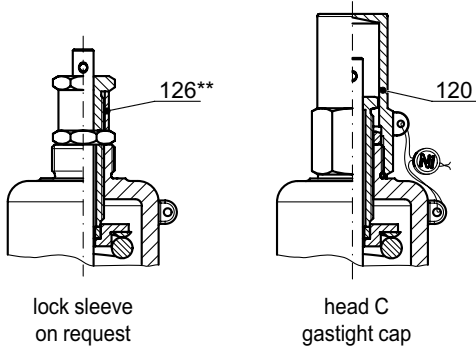
Vollhub-Sicherheitsventil, federbelastet Full-lift-Safety-Valve, springloaded

Typ 32

für Dämpfe, Gase und Flüssigkeiten mit geschlossener Haube
for steam, gases and liquids in closed completion

Typ 32.1 : Wst. / Material 1.0460 / 1.0619
Typ 32.2 : Wst. / Material 1.4571 / 1.4581
Typ 32.7 : Wst. / Material 1.4571 / 1.4308

DN 32/50
DN 40/65



Item	Description	Material			Item	Description	Material		
		32.1	32.2	32.7			32.1	32.2	32.7
001	1 inlet body	1.0460	1.4571	1.4571	089	1 guide plate	1.4571	1.4571	1.4571
003*	1 seat	1.4571	1.4571	1.4571	107	1 spring pin	A2	A2	A2
006*	1 packing ring	TESNIT BAU	PTFE		112	1 split ring	1.4305	1.4305	1.4305
008*	1 packing ring	TESNIT BAU	PTFE		120	1 cap (only head C)	1.0718	1.4581	1.4571
025	8 screw	A2	A2	A2	121	1 lifting cap (only head A)	1.4104	1.4581	
030	1 spring bonnet	1.0619	1.4581	1.4308	122	1 coupling	1.4305	1.4305	
056	2 lock nut	A4	A4	A4	125	1 lifting lever	3.2581	3.2581	
057	2 screwed pin	A2	A2	A2	130*	1 o-ring	NBR	FPM	EPDM
059*	2 packing ring	PTFE	PTFE	PTFE	131*	1 o-ring	NBR	FPM	
060*	1 disc, complete				132	1 groove pin	A4	A4	
560*	1 disc	1.4571	1.4571	1.4571	141	1 bolt	1.4305	1.4305	
062*	1 soft sealing	see techn. appendix: KWD-1			142	2 stop washer	A2	A2	
063*	1 disc ring	1.4571	1.4571	1.4571					
067	1 security screw	A2	A2	A2		on request			
080	1 spindle	1.4104	1.4571	1.4571	005**	1 o-ring	NBR	FPM	EPDM
081*	1 spring	1.4310	1.4310	1.4310	048**	1 drainage screw	A4	A4	A4
082	1 springplate, upper	1.0718	1.4305	1.4305	049**	1 packing ring	Cu	PTFE	PTFE
084	1 springplate, lower	1.0718	1.4305	1.4305	126**	1 lock sleeve	1.4305	1.4305	
085	1 adjusting screw	1.4305	1.4305	1.4305					
086	1 lock nut	1.4305	1.4305	1.4305					

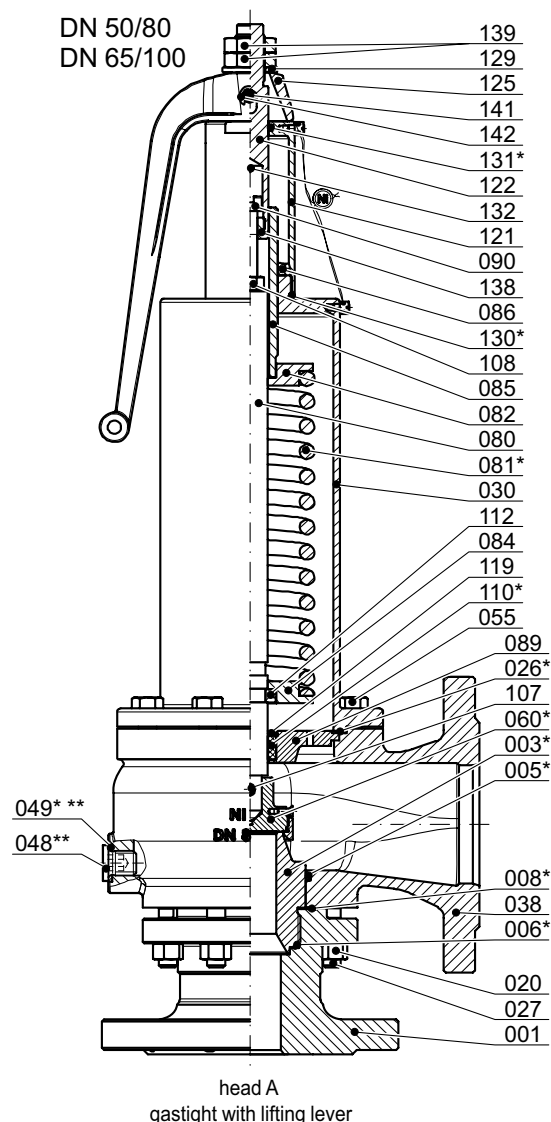
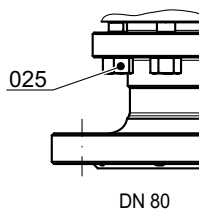
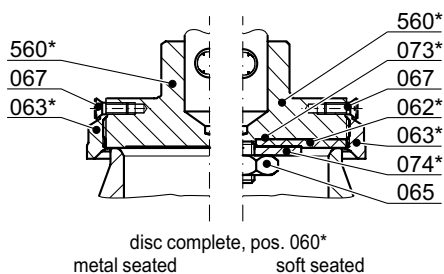
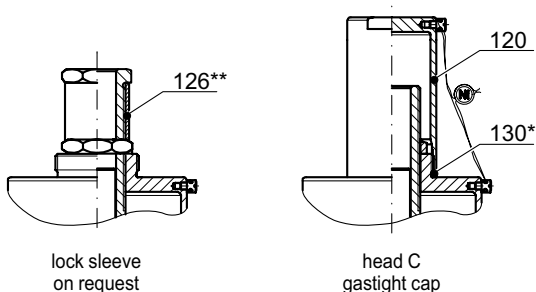
* expendable parts
** optional design, on request

Vollhub-Sicherheitsventil, federbelastet Full-lift-Safety-Valve, springloaded

Typ 32

für Dämpfe, Gase und Flüssigkeiten mit geschlossener Haube
for steam, gases and liquids in closed completion

Typ 32.1 : Wst. / Material 1.0619 / 1.0619
Typ 32.2 : Wst. / Material 1.4581 / 1.4581
Typ 32.7 : Wst. / Material 1.4571 / 1.4308



Item	Description	Material			Item	Description	Material		
		32.1	32.2	32.7			32.1	32.2	32.7
001	1 inlet body	1.0619	1.4581	1.4571	086	1 lock nut	1.4305	1.4305	1.4305
003*	1 seat	1.4571	1.4571	1.4571	089	1 guide plate	1.0460	1.4571	1.4571
005*	1 o-ring	NBR	FPM	EPDM	090	1 screw	A2	A2	A2
006*	1 packing ring	PTFE	PTFE	PTFE	107	1 spring pin	A2	A2	A2
008*	1 packing ring	PTFE	PTFE	PTFE	108	1 nut	A2	A2	A2
020	8 nut	A2	A2	A2	110*	1 bush	PTFE-Gr.	PTFE-Gr.	PTFE-Gr.
025	8 screw	A2	A2	A2	112	1 split ring	1.4305	1.4305	1.4305
026*	1 packing ring	TESNIT BAU	PTFE		119	1 locking ring	A2	A2	A2
027	8 stud bolt	A2	A2	A2	120	1 cap (only head C)	1.0254	1.4571	1.4571
030	1 spring bonnet	1.0254	1.4571	1.4571	121	1 lifting cap	1.0254	1.4571	
038	1 outlet body	1.0619	1.4581	1.4308	122	1 coupling	1.4305	1.4305	
055	8 screw	A2	A2	A2	125	1 lifting lever	3.2581	3.2581	
060*	1 disc, complete				129	1 pressure plate	A2	A2	
560*	1 disc	1.4571	1.4571	1.4571	130*	1 o-ring	NBR	FPM	EPDM
062*	1 soft sealing	see techn. appendic: KWD-1			131*	1 o-ring	NBR	FPM	
063*	1 disc ring	1.4571	1.4571	1.4571	132	1 groove pin	A4	A4	
065	1 disc bolt	A4	A4	A4	138	1 screw	1.4305	1.4305	
067	1 security screw	A2	A2	A2	139	2 nut	A2	A2	
073*	1 o-ring	NBR	FPM	PTFE	141	1 bolt	1.4305	1.4305	
074*	1 disc plate	1.4571	1.4571	1.4571	142	2 stop washer	A2	A2	
080	1 spindle	1.4104	1.4571	1.4571		on request			
081*	1 spring	1.4310	1.4310	1.4310	048**	1 drainage screw	A4	A4	A4
082	1 springplate, upper	1.0718	1.4305	1.4305	049**	1 packing ring	Cu	PTFE	PTFE
084	1 springplate, lower	1.0718	1.4305	1.4305	126**	1 lock sleeve	1.4305	1.4305	
085	1 adjusting screw	1.4305	1.4305	1.4305					

* expendable parts
** optional design, on request

M 32-127 BGIV_engl_07'09

Niezgodka GmbH

Bargkoppelweg 73
D-22145 Hamburg

Telefon: +49 40 679 469-0
Telefax: +49 40 679 469-59

www.niezgodka.de
e-mail: ni@niezgodka.de