



CHEM FLOWTRONICS

360° Full View Sanitary Sight Flow Indicators

Model 1150



Chem Flowtronics Full View Sanitary sight flow indicators are designed for high purity / sanitary piping systems, with tri-clamp ends. The Model 1150 offers a full view 360° view of process flows @ design line pressures and temperatures.

This unique design offers flush ID of glass and Tri-clamp ends. Standard PTFE gaskets, borosilicate glass tube, all insure long product life under the toughest of applications. The 1150 comes standard with a full shield of polycarbonate for added safety.

Standard material of construction is 316 SS L grade, with 180 grit ID or 20Ra finish.

Features:

- Tri-Clamp ends
- PTFE gaskets
- Borosilicate Glass tube
- Polycarbonate 100% Glass Shield

Options Available:

- Alloy wetted surfaces
- All stainless construction, including hardware
- Other end configurations
- Non standard face-to-face
- Variety of ID & OD finishes

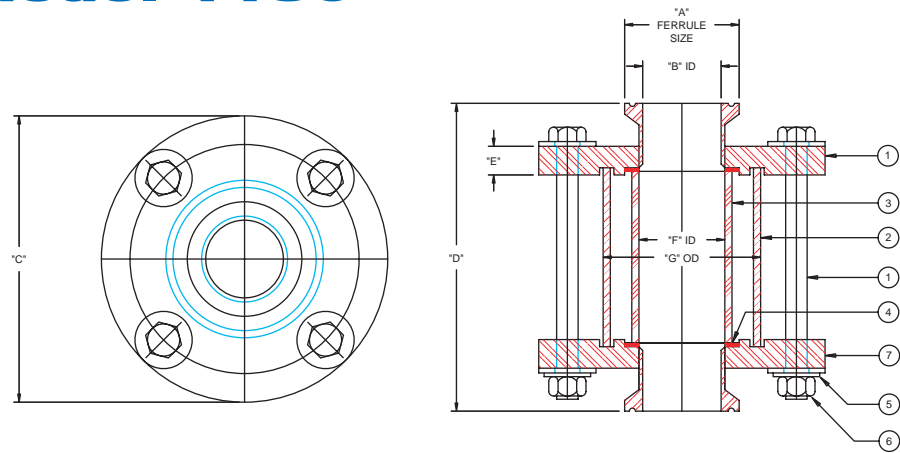


CHEM FLOWTRONICS

Chem Flow Corporation
P.O. Box 4635, Wayne NJ 07474-4635
Tel: 800-486-3356 · 973-785-0001 · Fax: 973-785-8051
Email: info@chem-flowtronics.com
Web: www.chem-flowtronics.com

360° Full View Sanitary Sight Flow Indicators

Model 1150



DIMENSIONS, IN INCHES							
"A" FERRULE SIZE	MODEL NUMBER	"B"	"C"	"D"	"E"	"F"	"G"
.50"	SF-1150-12-SS-SH	.375	2.00	6.25	.375	.405	1.00
.75"	SF-1150-18-SS-SH	.625	3.00	6.25	.375	.630	1.50
1.00"	SF-1150-25-SS-SH	.870	4.00	7.00	.500	.936	2.00
1.50"	SF-1150-40-SS-SH	1.38	5.00	7.00	.500	1.536	2.50
2.00"	SF-1150-50-SS-SH	1.87	6.00	7.50	.625	1.875	3.00
3.00"	SF-1150-80-SS-SH	2.87	6.50	8.00	.625	2.875	4.00

BILL OF MATERIAL			
ITEM NO	DESCRIPTION	MATERIAL	QTY
1	SUPPORT RODS	304SS	4
2	SIGHT GLASS SHIELD	POLYCARBONATE	1
3	SIGHT GLASS	BOROSILICATE	1
4	SIGHT GLASS GASKET	EPDM	1
5	SPRING LOCK WASHER	304SS	4
6	HEX NUT	304SS	4
7	BODY, #7 (150 GRIT) POLISH	316LSS	2



CHEM FLOWTRONICS

Chem Flow Corporation
P.O. Box 4635, Wayne NJ 07474-4635
Tel: 800-486-3356 · 973-785-0001 · Fax: 973-785-8051
Email: info@chem-flowtronics.com
Web: www.chem-flowtronics.com