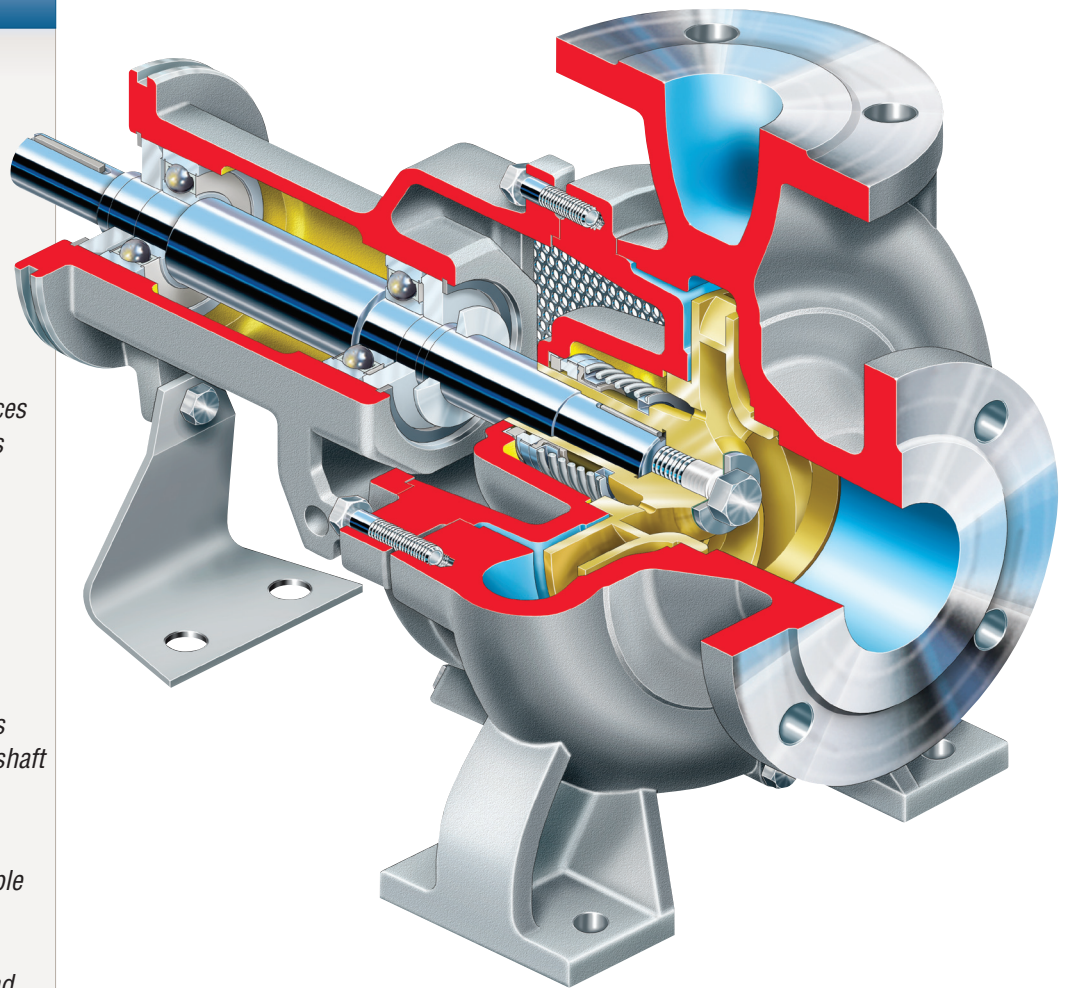


Now Released

Featuring:

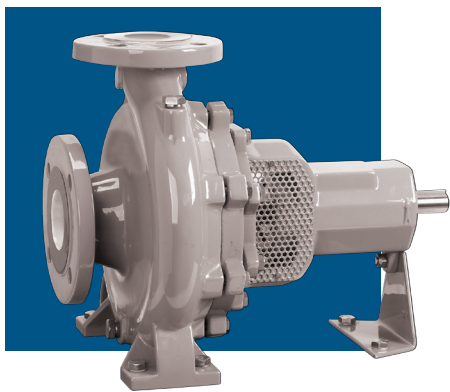
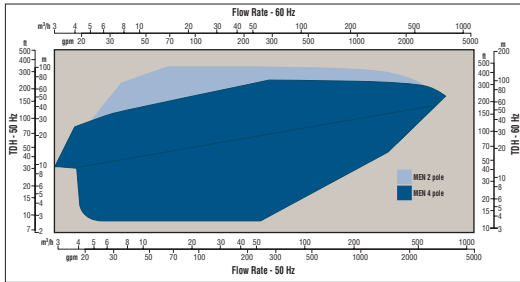
- **Extended Hub Impeller:**
 - Eliminates leakage path
 - Rigid design
 - Reduces inventory
 - Minimizes deflection at seal faces
- **Dual, Cartridge or Component Seal:**
 - Allows for sealing flexibility
 - Will handle more severe services
 - Will accommodate flush plans
 - Featuring double seals option
- **Integral Bell Housing Casing Cover:**
 - Has integral flow modifiers
 - Reduces part count in cover
- **Bearing Frame:**
 - Sealed for life grease bearings
 - High-strength stainless steel shaft
- **High-Pressure Casing:**
 - Allows high suction pressure and greater maximum allowable working pressure
 - Includes raised face flanges
 - Includes discharge suction and drain taps



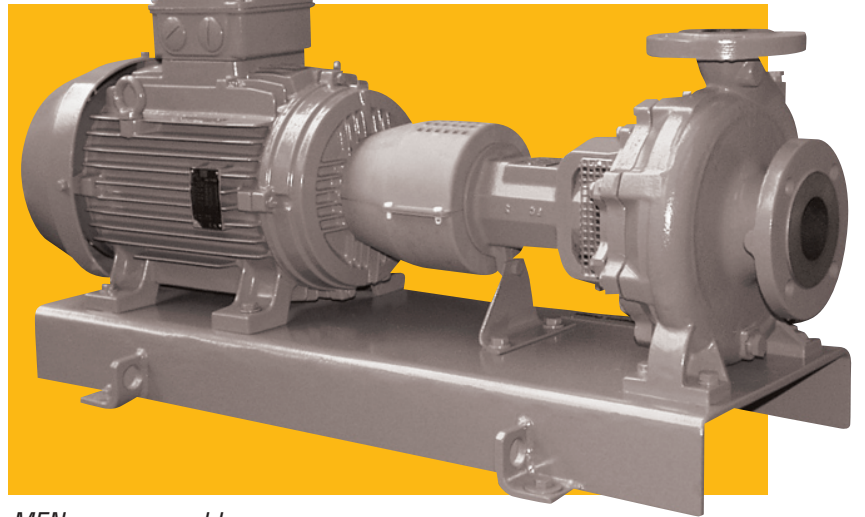
The new MEN family of stainless steel pumps provides a broad range of hydraulic coverage and reliable performance for tough applications.

- Water treatment
- Filter cleaning
- Fire protection
- General industry applications
- Light process duties
- Aggressive services

Stainless Steel MEN Range Chart



MEN stainless steel pump



MEN pump assembly

Materials of Construction

Description	Standard
Casing	Cast Iron
Casing Cover With Stuffing Box	Cast Iron
Wear Ring	
Impeller	Cast Iron or Bronze
Bearing Housing	Cast Iron
Shaft	13% Chromium Steel

OPTIONS
Stainless Steel
Stainless Steel
13% Chromium Steel
Stainless Steel
Other Chromium Steel*

* Consult factory or a Flowserve representative

To find your local Flowserve representative:

For more information about Flowserve Corporation, visit www.flowserve.com or call USA 1 800 728 PUMP (7867)