

BX

The BX seal continues to provide a proven track record of high performance across many services. Temperatures* up to 400°F (204°C). Designed for corrosive and non-corrosive services with specific gravity of .45 and higher. The BX seal is available in single, double, and tandem seal configurations.

Features/Benefits

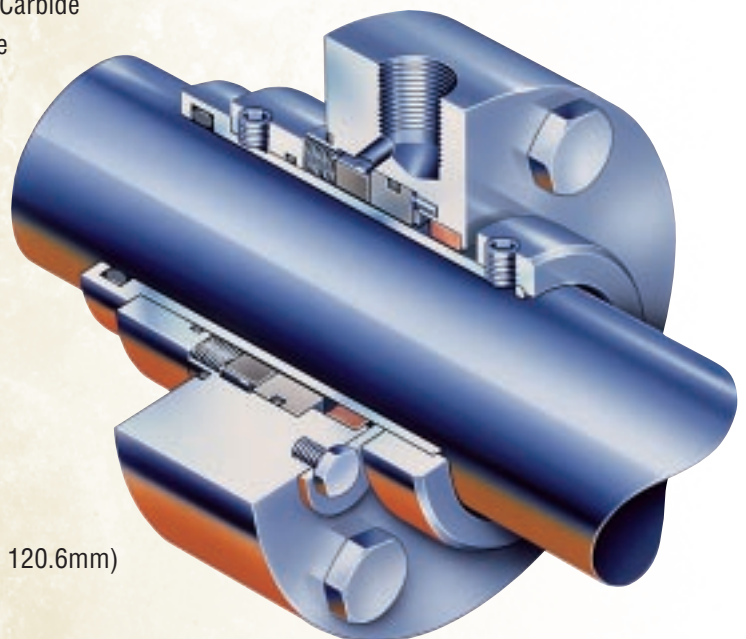
- Rotating bellows is 8 mils (0.20mm) thick which provides maximum resistance to corrosion, shaft vibrations and centrifugal forces (0.875, 1.000, 1.125 and 1.250 are 6 mils [0.15mm]).
- Bellows element and end-terminal are made from materials that provide maximum corrosion and torque resistance.
- Hydraulically balanced-for longer life.
- No dynamic gaskets-provides longer life by eliminating fretting of shaft sleeve and seal face hang up.
- No springs-eliminates clogging problems.
- Wide span bellows-extends seal life by providing motion stress resistance.
- Same seal size for single, tandem, and double arrangements-comprehensive interchangeability giving low inventory cost.

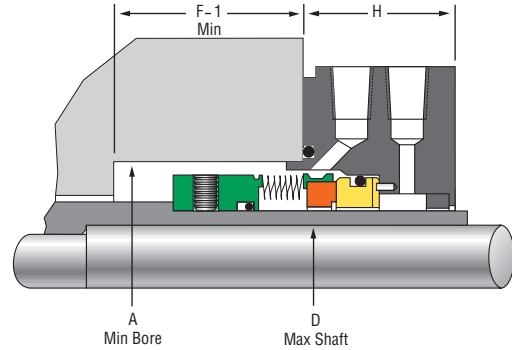
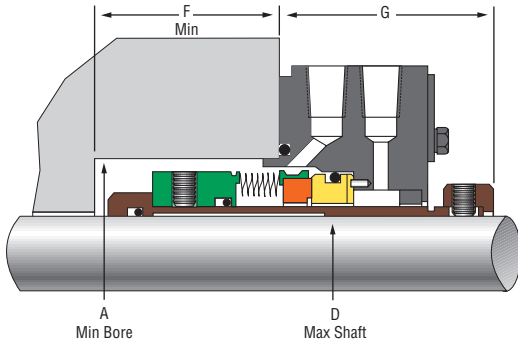
Materials of Construction

- Metal Parts: AISI 316, Alloy C-276, Alloy 400
- Bellows: AISI 316, Alloy C-276, Alloy 400
- Rotating Face: Carbon, Tungsten Carbide, Silicon Carbide
- Stationary Face: Tungsten Carbide, Silicon Carbide
- Gasketing: Nitrile, Fluoroelastomer, PTFE, Ethylene-Propylene and Kalrez**

Operating Parameters

- Maximum Pressure: Up to 400 PSIG (2760 kPa)
Higher pressures available for selected sizes.
- Temperature*: Water or Water Solution: 32°F to 275°F (0° C to 135°C)
- Other Liquids: -40°F to +400°F (-40°C to +204°C)
- Liquids: Corrosive and Non-Corrosive
- Specific Gravity: .45 and higher
- Surface Speed: Up to 75 ft/sec. (23 m/sec.)
- Shaft Sizes: 3/4" through 4.75" (19.0mm through 120.6mm)
Large sizes available upon request.





Dimensional Data

Seal Size	Inches					
	A	D	F	F-1	G	H
0875	1.625	.750	1.437	1.125	1.937	1.437
0937	1.687	.812	1.468	1.156	1.968	1.468
1000	1.750	.875	1.468	1.156	1.968	1.468
1125	1.875	1.000	1.406	1.093	2.000	1.500
1250	2.000	1.125	1.281	.968	2.312	1.687
1375	2.125	1.250	1.375	1.031	2.312	1.687
1500	2.250	1.375	1.531	1.187	2.343	1.687
1625	2.562	1.437	1.625	1.281	2.375	1.687
1750	2.687	1.562	1.937	1.343	2.500	1.687
1875	2.812	1.687	1.968	1.375	2.500	1.687
2000	2.937	1.812	1.937	1.343	2.531	1.718
2125	3.187	1.937	1.906	1.312	2.656	1.812
2250	3.312	2.062	1.906	1.312	2.656	1.812
2375	3.437	2.187	1.906	1.312	2.718	1.875
2500	3.562	2.250	2.062	1.468	2.718	1.875
2625	3.562	2.375	2.062	1.468	2.718	1.875
2750	3.687	2.500	2.125	1.531	2.875	1.875
2875	3.937	2.625	2.062	1.468	3.000	2.000
3000	4.062	2.750	2.062	1.468	3.000	2.000
3125	4.250	2.875	2.156	1.562	3.156	2.125
3250	4.375	3.000	2.156	1.562	3.156	2.125
3375	4.500	3.125	2.156	1.562	3.156	2.125
3500	4.625	3.250	2.156	1.562	3.156	2.125
3750	4.875	3.500	2.156	1.562	3.156	2.125
4000	5.187	3.750	2.156	1.562	3.375	2.343
4250	5.500	4.000	2.156	1.562	3.406	2.375
4500	5.750	4.250	2.156	1.562	3.406	2.375
5000	6.250	4.750	2.250	1.562	3.406	2.375

Seal Size	Metric (mm)					
	A	D	F	F-1	G	H
0875	41.3	19.0	28.6	36.5	30.2	43.7
0937	42.8	20.6	29.4	37.3	50.0	37.3
1000	44.4	22.2	29.4	37.3	30.2	45.2
1125	47.6	25.4	27.8	35.7	30.2	44.5
1250	50.8	28.6	24.6	32.5	34.9	44.5
1375	54.0	31.8	26.2	34.9	34.9	46.1
1500	57.1	34.9	30.2	38.9	34.9	50.0
1625	65.1	36.5	32.5	41.3	34.9	52.4
1750	68.3	39.7	34.1	49.2	34.9	54.0
1875	71.4	42.9	34.9	50.0	34.9	54.8
2000	74.8	46.0	34.1	49.2	34.9	54.8
2125	81.0	49.2	33.3	48.4	34.9	56.4
2250	84.1	52.4	33.3	48.4	34.9	56.4
2375	87.3	55.6	33.3	48.4	34.9	57.9
2500	90.5	57.1	37.3	52.4	34.9	61.9
2625	90.5	60.3	37.3	52.4	34.9	61.9
2750	93.7	63.5	38.9	54.0	34.9	63.5
2875	100.0	66.7	38.1	52.4	38.1	64.3
3000	103.2	69.9	38.1	52.4	38.1	64.3
3125	107.9	73.0	39.7	54.8	42.9	69.9
3250	111.1	76.2	39.7	54.8	42.9	69.9
3375	114.3	79.4	39.7	54.8	42.9	69.9
3500	117.5	82.5	39.7	54.8	42.9	69.9
3750	123.8	88.9	39.7	54.8	42.9	69.9
4000	131.8	95.3	39.7	54.8	42.9	69.9
4250	139.7	101.6	39.7	54.8	86.5	60.3
4500	146.1	107.9	39.7	54.8	43.7	70.6
5000	158.8	120.6	39.7	57.2	43.7	70.4

Note: For sizes and conditions not listed, contact your Flowserve Representative.

*Depending on materials selected.

**Kalrez is a registered trademark of E.I. DuPont de Nemours & Co., Inc.

The information and specifications presented in this product brochure are believed to be accurate, but are supplied for information purposes only and should not be considered certified or as a guarantee of satisfactory results by reliance thereon. Nothing contained herein is to be construed as a warranty or guarantee, express or implied, with respect to the product. Although Flowserve Corporation can provide general application guidelines, it cannot provide specific information for all possible applications. The purchaser/user must therefore assume the ultimate responsibility for the proper selection, installation, operation and maintenance of Flowserve products. Because Flowserve Corporation is continually improving and upgrading its product design, the specifications, dimensions and information contained herein are subject to change without notice.

Primary Worldwide Flow Solutions Division Locations

Licenseses, authorized agents, and affiliated companies located worldwide

United States
Kalamazoo, MI
Phone 616-381-2650
Fax 616-381-8368

Temecula, CA
Phone 909-676-5662
Fax 909-308-4495

Canada
Edmonton, Alberta
Phone 708-463-7958
Fax 708-450-1241

St. Thomas, Ontario
Phone 519-631-9946
Fax 519-633-6164

Netherlands
Roosendaal
Phone 31-165-581-400
Fax 31-165-552-622

Argentina
Mendoza
Phone 54-261-427-2300
Fax 54-261-427-2524

Singapore
Phone 65-746-4318
Fax 65-747-1963

Mexico
Tlaxcala
Phone 52-2-461-6791
Fax 52-2-461-6847

Brazil
Sao Paulo
Phone 55-11-4066-8600
Fax 55-11-4066-7014

Japan
Osaka
Phone 81-720-85-5571
Fax 81-720-85-5575

Germany
Dortmund
Phone 49-231-6964-0
Fax 49-231-6964-248

Australia
Marayong NSW
Phone 61-2-8822-7100
Fax 61-2-9679-7511